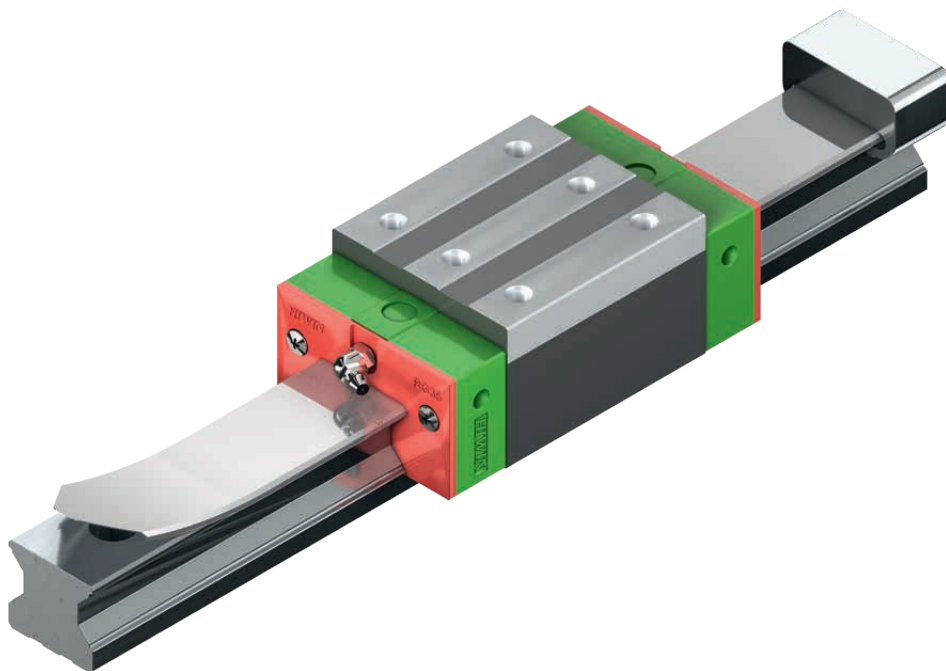


HIWIN®

Motion Control & Systems



Linear Guideways

CRG Series

Linear guideways

CRG series

CRG series

General information

Properties of the linear guideways, series CRG

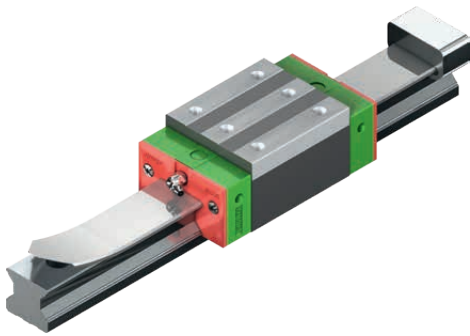
The HIWIN linear guideways of the CRG series use rollers rather than balls as rolling elements. The CRG series provides extremely good rigidity and very good loading capacity. It is designed with a 45° contact angle. Its linear contact surface greatly reduces deformation caused by the loading and therefore ensures very good rigidity and loading capacity in all 4 loading directions. The linear guideways of the CRG series are therefore ideal for use in high-precision manufacturing.

Optionally, a cover strip is available – the entry of dust and wear of the sealing lip are thus permanently reduced to a minimum. With the help of a mounting tool the cover strip is installed in a few easy steps.

Design of the CRG series

Free of play 4-row recirculation roller bearing guide with best dust protection already in the standard version.

Easy mounting, better protection against entry of dust and against wear of the end seal due to cover strip.

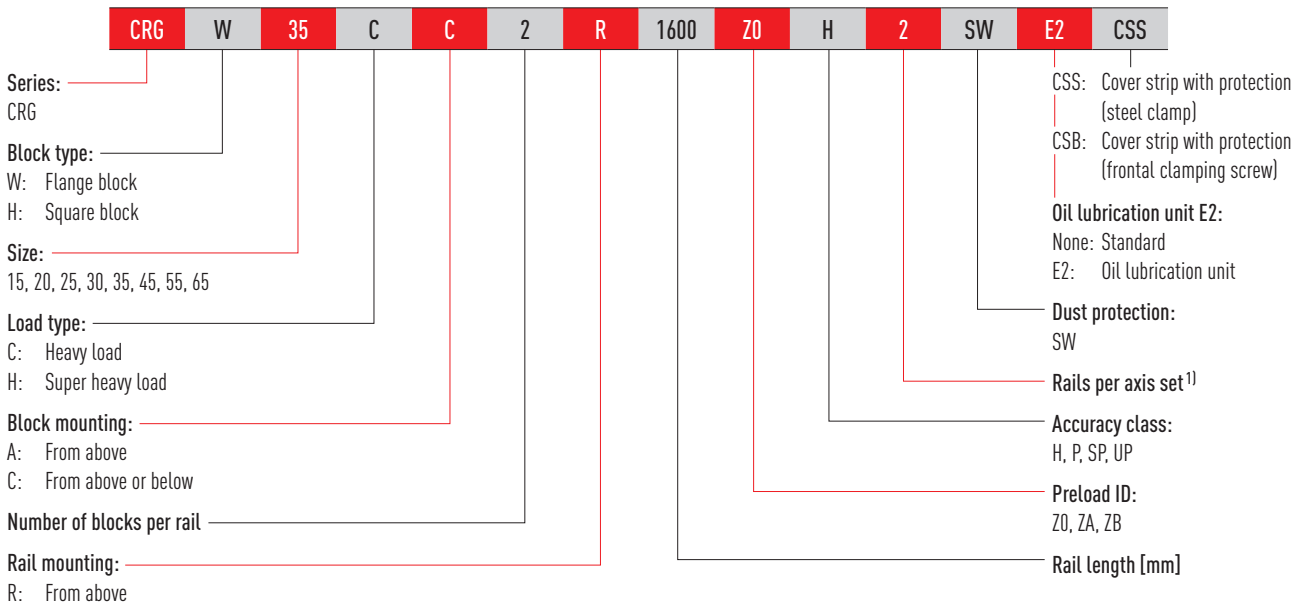


Advantages:

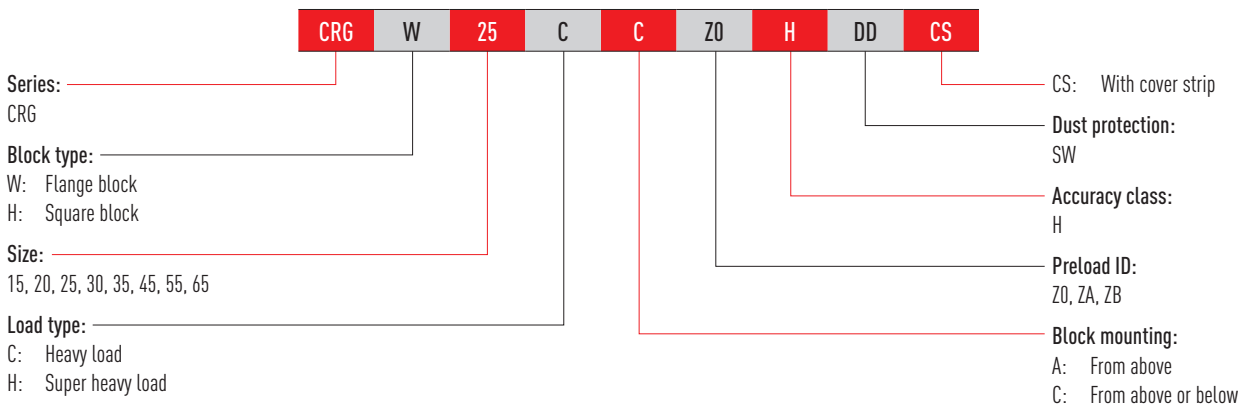
- Free of play
- Interchangeable
- Very high load ratings
- Very high rigidity
- Low displacement forces even with high preload
- With cover strip

Order code for the CRG series

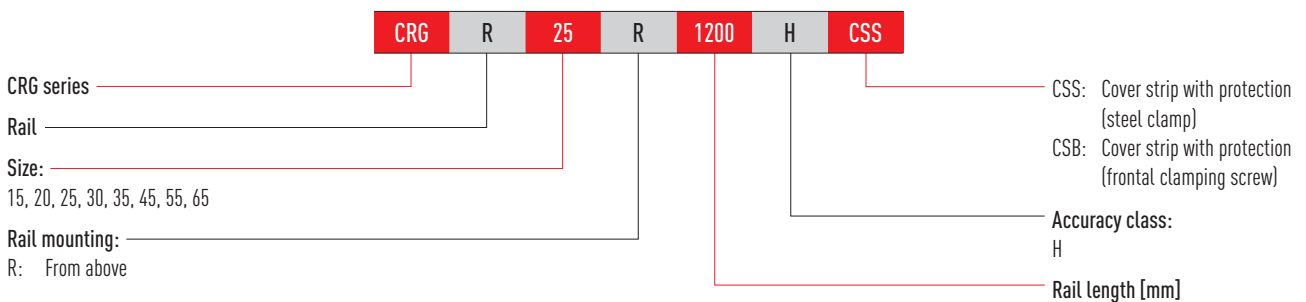
Order code for linear guideway (fully assembled)



Order code for block (unmounted)



Order code for rail (unmounted)



Note:

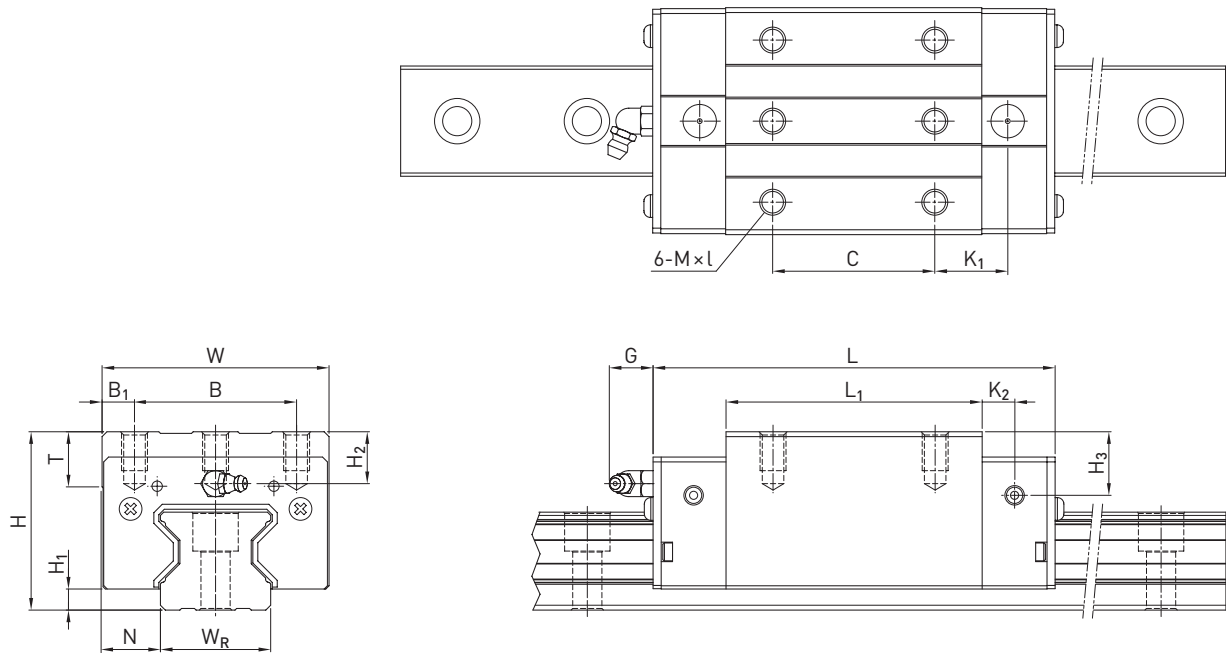
¹⁾ The figure 2 is also a quantity, i.e. one item of the above-mentioned article consists of a pair of rails. No number is specified for individual rails.
By default multi-part rails are delivered with staggered butt joints.

Linear guideways

CRG series

Dimensions of the CRG blocks

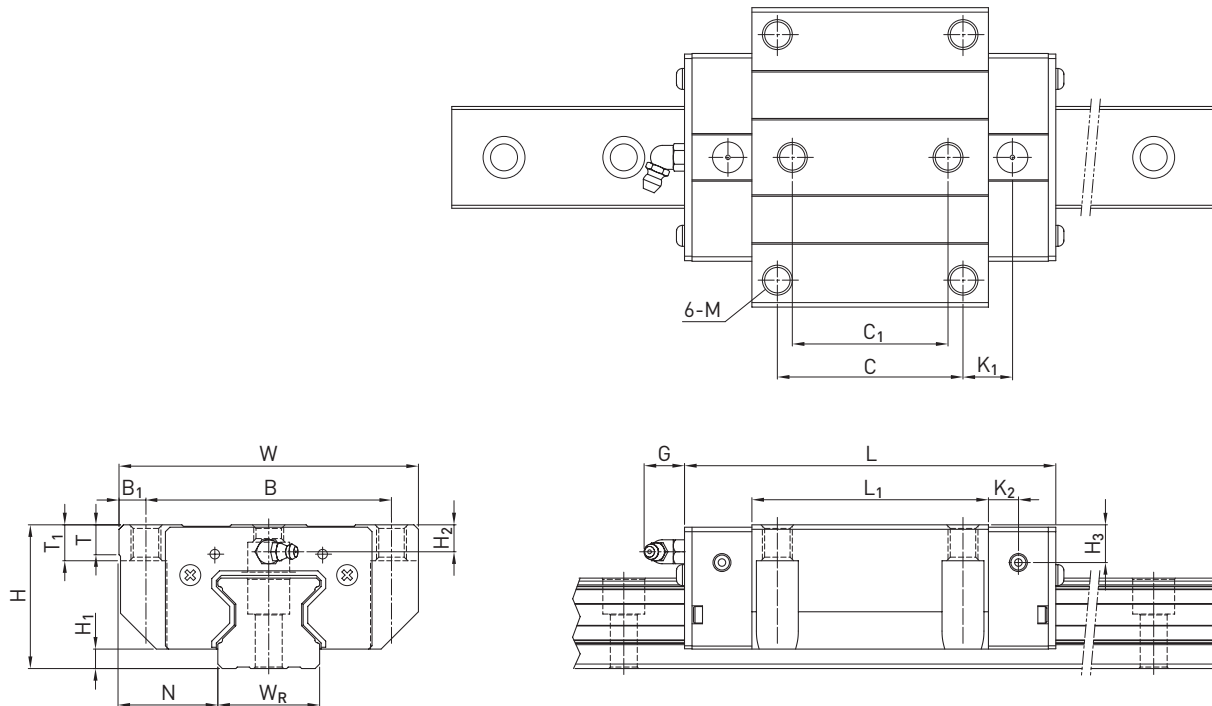
CRGH



Dimensions of the block

Series/size	Installation dimensions [mm]			Dimensions of the block [mm]													Load ratings [N]		Weight [kg]
	H	H ₁	N	W	B	B ₁	C	L ₁	L	K ₁	K ₂	G	M × l	T	H ₂	H ₃	C _{dyn}	C ₀	
CRGH15CA	28	4.0	9.5	34	26	4.0	26	45.0	68.0	13.40	4.70	5.3	M4 × 8	6.0	7.6	10.1	11,300	24,000	0.20
CRGH20CA	34	5.0	12.0	44	32	6.0	36	57.5	86.0	15.80	6.00	5.3	M5 × 8	8.0	8.3	8.3	21,300	46,700	0.40
CRGH20HA							50	77.5	106.0	18.80							26,900	63,000	0.53
CRGH25CA	40	5.5	12.5	48	35	6.5	35	64.5	97.9	20.75	7.25	12.0	M6 × 8	9.5	10.2	10.0	27,700	57,100	0.61
CRGH25HA							50	81.0	114.4	21.50							33,900	73,400	0.75
CRGH30CA	45	6.0	16.0	60	40	10.0	40	71.0	109.8	23.50	8.00	12.0	M8 × 10	9.5	9.5	10.3	39,100	82,100	0.90
CRGH30HA							60	93.0	131.8	24.50							48,100	105,000	1.16
CRGH35CA	55	6.5	18.0	70	50	10.0	50	79.0	124.0	22.50	10.00	12.0	M8 × 12	12.0	16.0	19.6	57,900	105,200	1.57
CRGH35HA							72	106.5	151.5	25.25							73,100	142,000	2.06
CRGH45CA	70	8.0	20.5	86	60	13.0	60	106.0	153.2	31.00	10.00	12.9	M10 × 17	16.0	20.0	24.0	92,600	178,800	3.18
CRGH45HA							80	139.8	187.0	37.90							116,000	230,900	4.13
CRGH55CA	80	10.0	23.5	100	75	12.5	75	125.5	183.7	37.75	12.50	12.9	M12 × 18	17.5	22.0	27.5	130,500	252,000	4.89
CRGH55HA							95	173.8	232.0	51.90							167,800	348,000	6.68
CRGH65CA	90	12.0	31.5	126	76	25.0	70	160.0	232.0	60.80	15.80	12.9	M16 × 20	25.0	15.0	15.0	213,000	411,600	8.89
CRGH65HA							120	223.0	295.0	67.30							275,300	572,700	12.13

CRGW



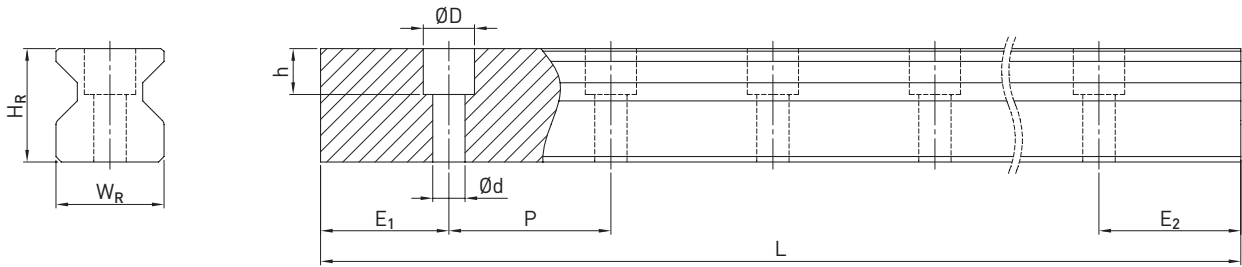
Dimensions of the block																						
Series/size	Installation dimensions [mm]			Dimensions of the block [mm]															Load ratings [N]		Weight [kg]	
	H	H ₁	N	W	B	B ₁	C	C ₁	L ₁	L	K ₁	K ₂	G	M	T	T ₁	H ₂	H ₃	C _{dyn}	C ₀		
CRGW15CC	24	4.0	16.0	47	38	4.5	30	26	45.0	68.0	11.40	4.70	5.3	M5	6.0	6.95	3.6	6.1	11,300	24,000	0.22	
CRGW20CC	30	5.0	21.5	63	53	5.0	40	35	57.5	86.0	13.80	6.00	5.3	M6	8.0	10.00	4.3	4.3	21,300	46,700	0.47	
CRGW20HC									77.5	106.0	23.80								26,900	63,000	0.63	
CRGW25CC	36	5.5	23.5	70	57	6.5	45	40	64.5	97.9	15.75	7.25	12.0	M8	9.5	10.00	6.2	6.0	27,700	57,100	0.72	
CRGW25HC									81.0	114.4	24.00								33,900	73,400	0.91	
CRGW30CC	42	6.0	31.0	90	72	9.0	52	44	71.0	109.8	17.50	8.00	12.0	M10	9.5	10.00	6.5	7.3	39,100	82,100	1.16	
CRGW30HC									93.0	131.8	28.50								48,100	105,000	1.52	
CRGW35CC	48	6.5	33.0	100	82	9.0	62	52	79.0	124.0	16.50	10.00	12.0	M10	12.0	13.00	9.0	12.6	57,900	105,200	1.75	
CRGW35HC									106.5	151.5	30.25								73,100	142,000	2.40	
CRGW45CC	60	8.0	37.5	120	100	10.0	80	60	106.0	153.2	21.00	10.00	12.9	M12	14.0	15.00	10.0	14.0	92,600	178,800	3.43	
CRGW45HC									139.8	187.0	37.90								116,000	230,900	4.57	
CRGW55CC	70	10.0	43.5	140	116	12.0	95	70	125.5	183.7	27.75	12.50	12.9	M14	16.0	17.00	12.0	17.5	130,500	252,000	5.43	
CRGW55HC									173.8	232.0	51.90								167,800	348,000	7.61	
CRGW65CC	90	12.0	53.5	170	142	14.0	110	82	160.0	232.0	40.80	15.80	12.9	M16	22.0	23.00	15.0	15.0	213,000	411,600	11.63	
CRGW65HC									223.0	295.0	72.30								275,300	572,700	16.58	

Linear guideways

CRG series

Dimensions of the CRG rail

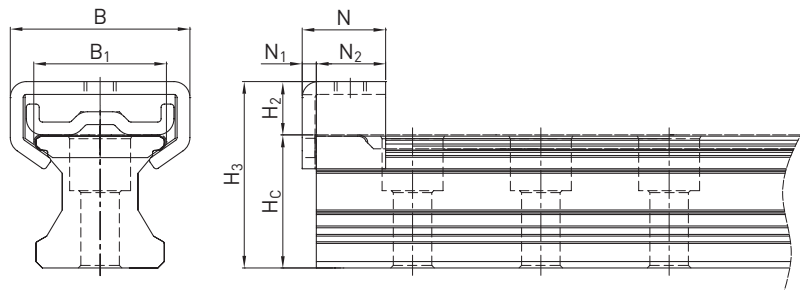
CRGR_R



Dimensions of rail CRGR_R

Series/size	Assembly screw for rail [mm]	Dimensions of rail [mm]						Max. length [mm]	Max. length $E_1 = E_2$ [mm]	Min. length [mm]	$E_{1/2}$ min [mm]	$E_{1/2}$ max [mm]	Weight [kg/m]
		W_R	H_R	D	h	d	P						
CRGR15R	M4 × 20	15	16.5	7.5	5.7	4.5	30.0	4,000	3,960,0	72	6	24.0	1.80
CRGR20R	M5 × 25	20	21.0	9.5	8.5	6.0	30.0	4,000	3,960,0	74	7	23.0	2.76
CRGR25R	M6 × 30	23	23.6	11.0	9.0	7.0	30.0	4,000	3,960,0	76	8	22.0	3.08
CRGR30R	M8 × 35	28	28.0	14.0	12.0	9.0	40.0	4,000	3,920,0	98	9	31.0	4.41
CRGR35R	M8 × 35	34	30.2	14.0	12.0	9.0	40.0	4,000	3,920,0	98	9	31.0	6.06
CRGR45R	M12 × 45	45	38.0	20.0	17.0	14.0	52.5	4,000	3,937,5	129	12	40.5	9.97
CRGR55R	M14 × 55	53	44.0	23.0	20.0	16.0	60.0	4,000	3,900,0	148	14	46.0	13.98
CRGR65R	M16 × 65	63	53.0	26.0	22.0	18.0	75.0	4,000	3,900,0	180	15	60.0	20.22

Cover strip protection: steel clamp

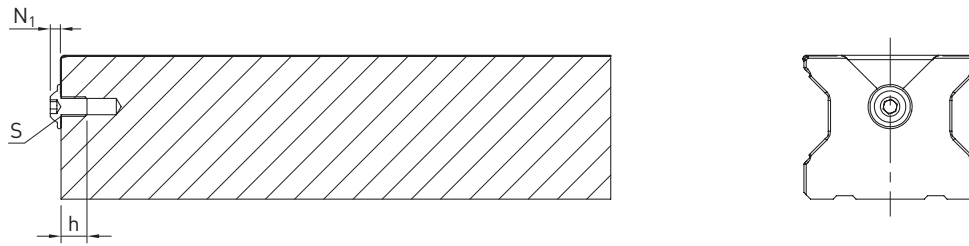


Dimensions of rail CRGR_R with steel clamp protection

Series/size	H_3	H_C	H_2	N	N_1	N_2	B	B_1
CRG_15	20.5	16.7	3.8	15	2.2	12.8	21.00	15.8
CRG_20	28.4	21.2	7.2	13	2.2	10.8	28.00	20.7
CRG_25	33.8	23.8	10.0	15	2.2	12.8	30.70	23.9
CRG_30	37.4	28.2	9.2	12	2.2	9.8	34.00	28.9
CRG_35	41.6	30.4	11.2	18	2.2	15.8	40.00	34.8
CRG_45	50.2	38.2	12.0	18	2.2	15.8	53.58	45.6
CRG_55	55.4	44.2	11.2	18	2.2	15.8	58.60	53.7
CRG_65	65.2	53.2	12.0	18	2.2	15.8	71.80	63.6

Unit: mm

Cover strip protection: frontal clamping screw

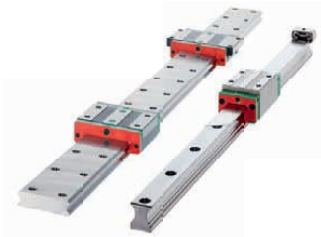


Dimensions of rail CRGR_R with frontal clamping screw

Series/size	S	h	N ₁
CRG_15	M3	5	1,65
CRG_20	M4	5	2,20
CRG_25	M4	5	2,20
CRG_30	M4	5	2,20
CRG_35	M6	9	3,30
CRG_45	M6	9	3,30
CRG_55	M6	9	3,30
CRG_65	M6	9	3,30

Unit: mm

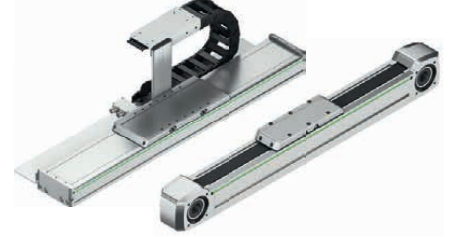
We live motion.



Linear Guideways



Ballscrews



Linear Axes



Linear Axis Systems



Torque Motors



Robots



Linear Motor Components



Rotary Tables



Drives & Servo Motors

Germany

HIWIN GmbH
Brücklesbünd 1
D-77654 Offenburg
Phone +49 (0) 7 81 9 32 78 - 0
Fax +49 (0) 7 81 9 32 78 - 90
info@hiwin.de
www.hiwin.de

Taiwan

Headquarters
HIWIN Technologies Corp.
No. 7, Jingke Road
Taichung Precision Machinery Park
Taichung 40852, Taiwan
Phone +886-4-2359-4510
Fax +886-4-2359-4420
business@hiwin.tw
www.hiwin.tw

Taiwan

Headquarters
HIWIN Mikrosystem Corp.
No. 6, Jingke Central Road
Taichung Precision Machinery Park
Taichung 40852, Taiwan
Phone +886-4-2355-0110
Fax +886-4-2355-0123
business@hiwinmikro.tw
www.hiwinmikro.tw

France

HIWIN GmbH
4, Impasse Joffre
FR-67202 Wolfisheim
Phone +33 (0) 3 88 28 84 80
info@hiwin.de
www.hiwin.de/fr

Italy

HIWIN Srl
Via Pitagora 4
I-20861 Brugherio (MB)
Phone +39 039 287 61 68
Fax +39 039 287 43 73
info@hiwin.it
www.hiwin.it

Poland

HIWIN GmbH
ul. Putawska 405a
PL-02-801 Warszawa
Phone +48 22 544 07 07
Fax +48 22 544 07 08
info@hiwin.pl
www.hiwin.pl

Switzerland

HIWIN Schweiz GmbH
Eichwiesstrasse 20
CH-8645 Jona
Phone +41 (0) 55 225 00 25
Fax +41 (0) 55 225 00 20
info@hiwin.ch
www.hiwin.ch

Slovakia

HIWIN s.r.o., o.z.z.o.
Mládežnícka 2101
SK-01701 Považská Bystrica
Phone +421 424 43 47 77
Fax +421 424 26 23 06
info@hiwin.sk
www.hiwin.sk

Czech Republic

HIWIN s.r.o.
Medkova 888/11
CZ-62700 Brno
Phone +42 05 48 528 238
Fax +42 05 48 220 223
info@hiwin.cz
www.hiwin.cz

Austria

HIWIN GmbH
info@hiwin.at
www.hiwin.at

Netherlands

HIWIN GmbH
info@hiwin.nl
www.hiwin.nl

Romania

HIWIN GmbH
info@hiwin.ro
www.hiwin.ro

Slovenia

HIWIN GmbH
info@hiwin.si
www.hiwin.si

Hungary

HIWIN GmbH
info@hiwin.hu
www.hiwin.hu

China

HIWIN Corp.
www.hiwin.cn

Japan

HIWIN Corp.
mail@hiwin.co.jp
www.hiwin.co.jp

USA

HIWIN Corp.
info@hiwin.com
www.hiwin.com

Korea

HIWIN Corp.
www.hiwin.kr

Singapore

HIWIN Corp.
www.hiwin.sg