

Crossed Roller Bearing Thin Type



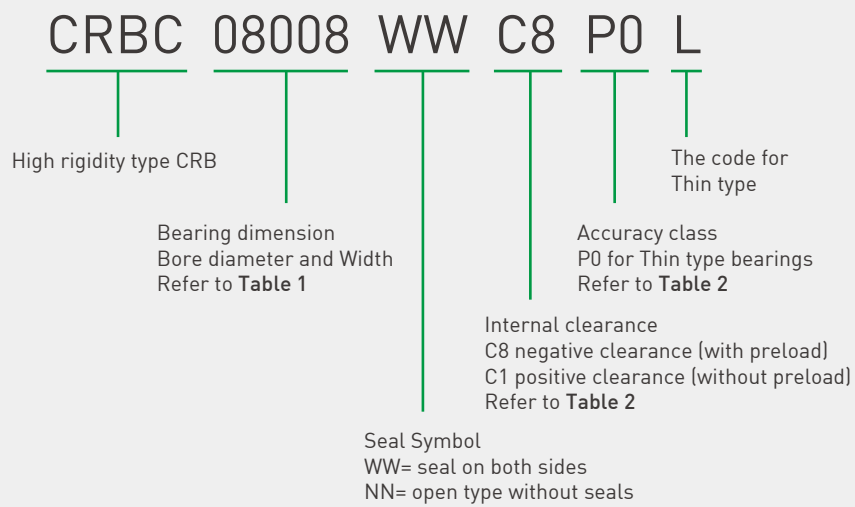
Product Features /

- 40% decrease in bearing volume, with high rigidity and load capability.
- Suitable for compact and lightweight applications.
- Integrated inner and outer ring.

Applications /

- Industrial robots.
- Stator winding machines.
- Products and equipment that require a light weight, compact design.

Specifications /



Comparison with Standard CRB /

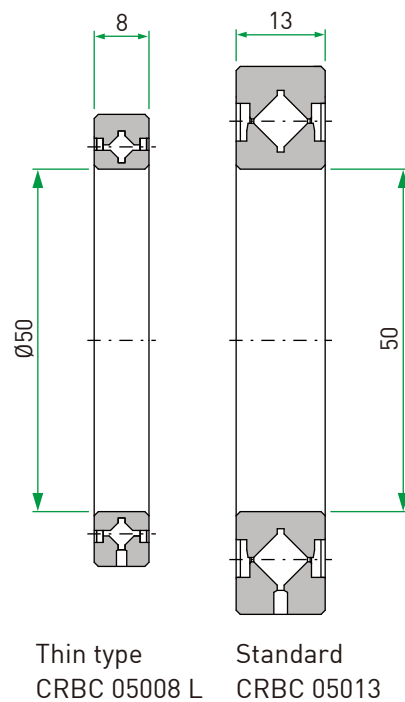


Table 1. Product Specification

Dimensions (mm)			Bearing no.	Oil holes, d_{OH} (mm)	Basic load rating (kN)		Mounting dimensions (mm)		
Inner diameter	Outer diameter	Width			Dynamic load, C	Static load, C_0	d_a	D_a	Chamfer C
(d)	(D)	(B, T)							
50	66	8	CRBC 05008 L	1.5	6.1	8.7	53.2	61	0.6
60	76	8	CRBC 06008 L	1.5	6.7	10.4	63.2	71	0.6
70	86	8	CRBC 07008 L	1.5	7.3	12.1	73.2	81	0.6
80	96	8	CRBC 08008 L	1.5	7.8	13.8	83.2	91	0.6
90	106	8	CRBC 09008 L	1.5	8.3	15.5	93.2	101	0.6
100	116	8	CRBC 10008 L	1.5	8.8	17.3	103.2	111	0.6

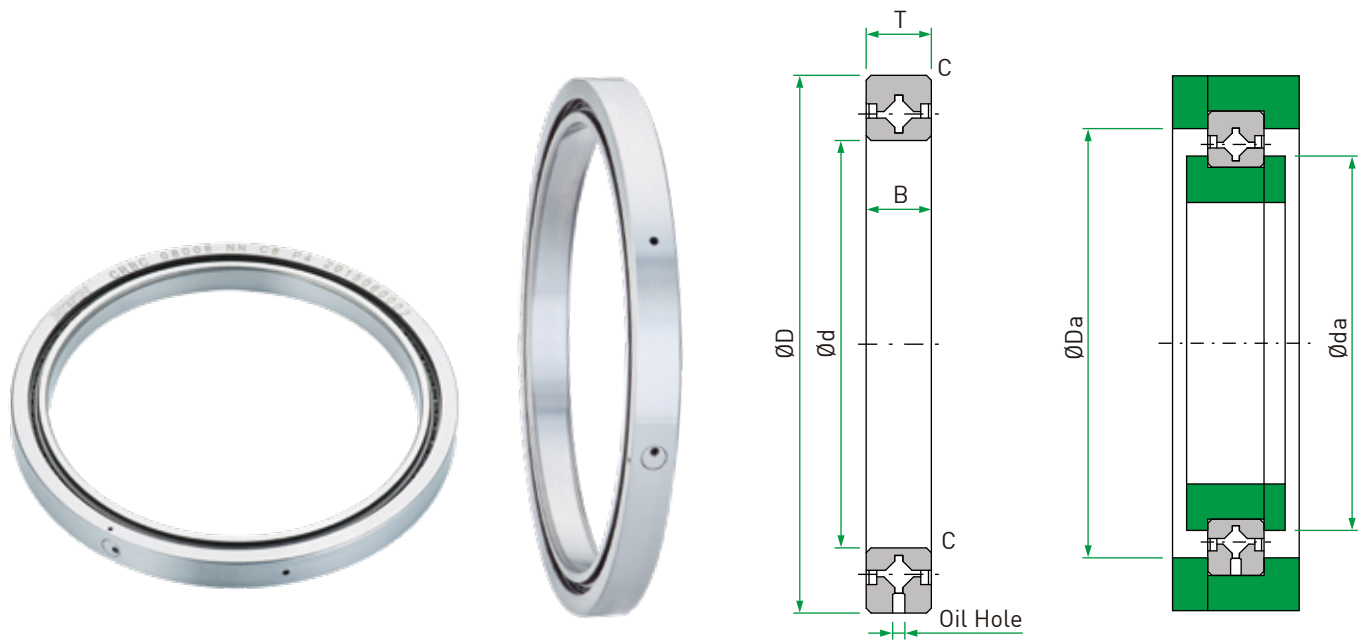


Table 2. Accuracy and Internal clearance

Unit: μm

Bearing no.	Deviation						Rotational accuracy (P0)			Internal clearance			
	Bore diameter deviation (Δd_{mp})		Outer diameter deviation (ΔD_{mp})		Width deviation for inner ring and outer ring		Radial and face runout for inner ring	Radial and face runout for outer ring	C8		C1		
					$\Delta B_s, \Delta T_s$		K_{ia}, S_{ia}	K_{ea}, S_{ea}	(with preload)		(without preload)		
	High	Low	High	Low	High	Low	Max	Max	Min	Max	Min	Max	
CRBC 05008 L	0	-15	0	-13	0	-120	13	13	-10	0	2	20	
CRBC 06008 L	0	-15	0	-13	0	-120	13	13	-10	0	2	20	
CRBC 07008 L	0	-15	0	-15	0	-120	15	15	-10	0	2	20	
CRBC 08008 L	0	-15	0	-15	0	-120	15	15	-10	0	2	20	
CRBC 09008 L	0	-20	0	-15	0	-120	15	15	-10	0	2	20	
CRBC 10008 L	0	-20	0	-15	0	-120	15	15	-10	0	2	20	

Note: 1. " d_{mp} " the average of maximum and minimum value of bore diameter.

2. " D_{mp} " the average of maximum and minimum value of outer diameter.

3. The accuracy grade of HIWIN Thin type is P0. If you need higher accuracy, please contact HIWIN.

Subsidiaries / Research Center

HIWIN GmbH
OFFENBURG, GERMANY
www.hiwin.de
www.hiwin.eu
info@hiwin.de

HIWIN JAPAN
KOBE · TOKYO · NAGOYA · NAGANO ·
TOHOKU · SHIZUOKA · HOKURIKU ·
HIROSHIMA · FUKUOKA · KUMAMOTO,
JAPAN
www.hiwin.co.jp
info@hiwin.co.jp

HIWIN USA
CHICAGO, U.S.A.
www.hiwin.com
info@hiwin.com

HIWIN Srl
BRUGHERIO, ITALY
www.hiwin.it
info@hiwin.it

HIWIN Schweiz GmbH
JONA, SWITZERLAND
www.hiwin.ch
info@hiwin.ch

HIWIN s.r.o.
BRNO, CZECH REPUBLIC
www.hiwin.cz
info@hiwin.cz

HIWIN SINGAPORE
SINGAPORE
www.hiwin.sg
info@hiwin.sg

HIWIN KOREA
SUWON · MASAN, KOREA
www.hiwin.kr
info@hiwin.kr

HIWIN CHINA
SUZHOU, CHINA
www.hiwin.cn
info@hiwin.cn

Mega-Fabs Motion
Systems, Ltd.
HAIFA, ISRAEL
www.mega-fabs.com
info@mega-fabs.com

HIWIN®

HIWIN TECHNOLOGIES CORP.

No. 7, Jingke Road,
Taichung Precision Machinery Park,
Taichung 40852, Taiwan
Tel: +886-4-23594510
Fax: +886-4-23594420
www.hiwin.tw
business@hiwin.tw

-
- HIWIN is a registered trademark of HIWIN Technologies Corp. For your protection, avoid buying counterfeit products from unknown sources.
 - Actual products may differ from specifications and photos provided in this catalog. These differences may be the result of various factors including product improvements.
 - HIWIN will not sell or export products or processes restricted under the "Foreign Trade Act" or related regulations. Export of restricted products should be approved by proper authorities in accordance with relevant laws and shall not be used to manufacture or develop nuclear, biochemical, missiles or other weapons.
 - HIWIN website for patented product directory: http://www.hiwin.tw/Products/Products_patents.aspx

The specifications in this catalog are subject to change without notification.

Copyright © HIWIN Technologies Corp.

©2019 FORM B04DE01-1904 (PRINTED IN TAIWAN)